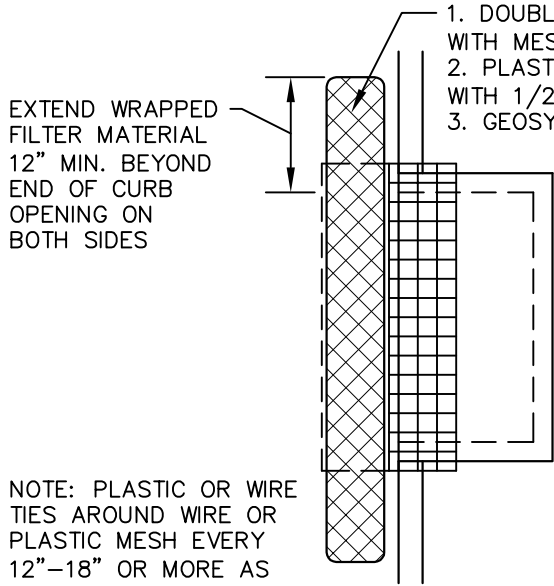
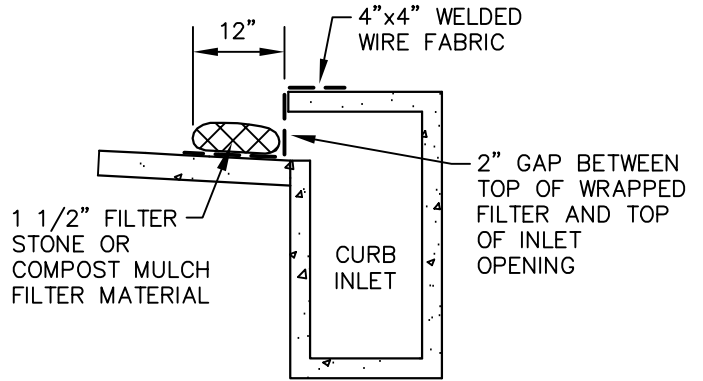




# Type A Curb Inlet Protection



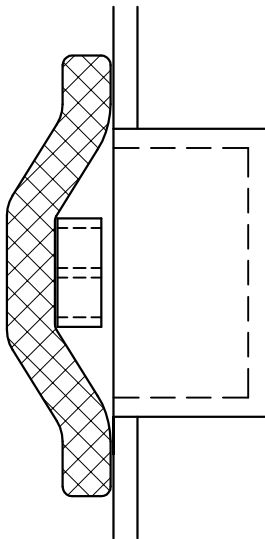
PLAN VIEW



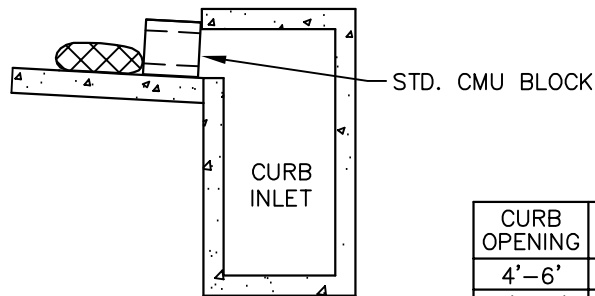
CROSS SECTION

NOTE: PLASTIC OR WIRE TIES AROUND WIRE OR PLASTIC MESH EVERY 12"-18" OR MORE AS NEEDED.

NOTE: VERTICAL PANEL BARRICADES TO BE PLACED WHEN LOCATED ON AN ACTIVE STREET.



PLAN VIEW



CROSS SECTION

CURB OPENING	MIN. NO. BLOCKS
4'-6'	1
8'-10'	2
12'-14'	3
16'-20'	4

## ALTERNATE SUPPORT FOR TYPE A CURB INLET PROTECTION