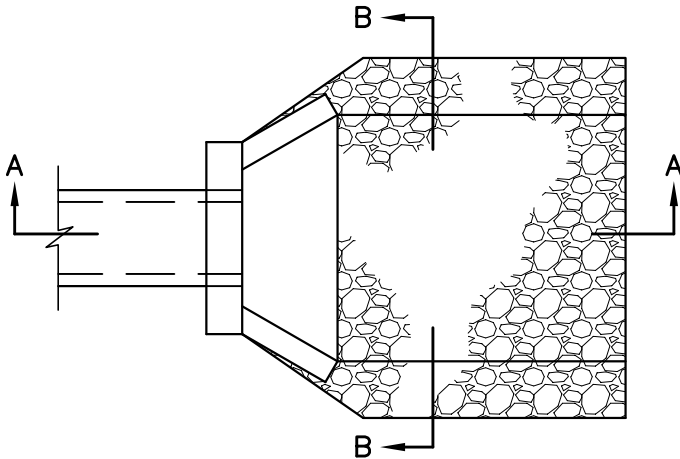




Pipe Outlet Velocity Control

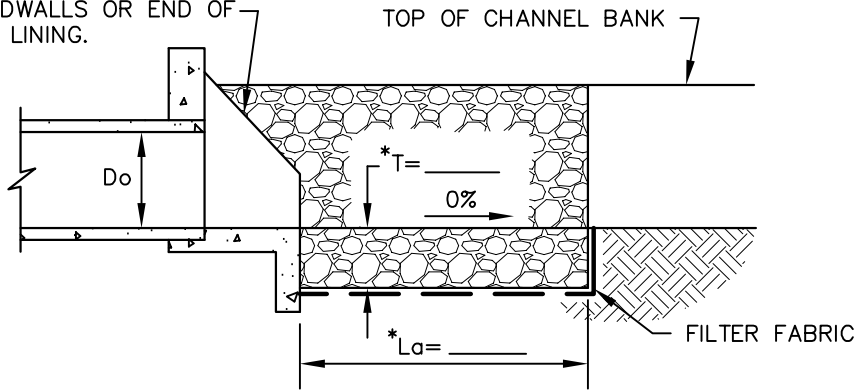
**DESIGN
COMPUTATION
REQUIRED**

*** SPECIFIC DESIGN
INFORMATION IS REQUIRED
FOR EACH INSTALLATION**

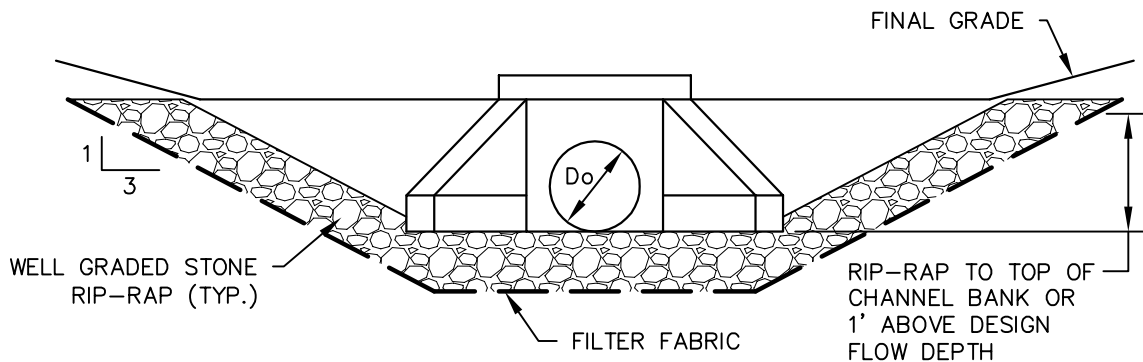


PLAN VIEW

TYPE B HEADWALL SHOWN, SIMILAR FOR OTHER HEADWALLS OR END OF CONC. CHANNEL LINING.



SECTION A-A



SECTION B-B

* D_{MAX} = _____
 * D_{50} = _____
 D_{MIN} = 2"