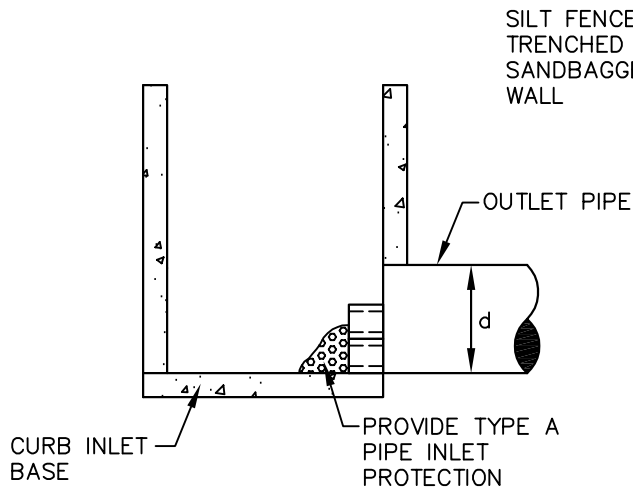
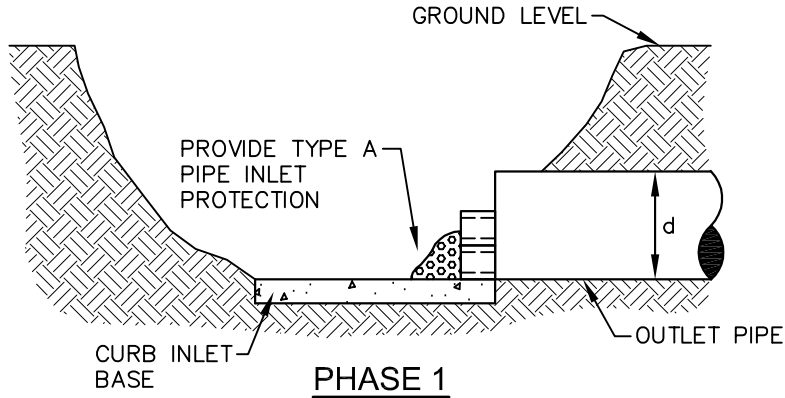
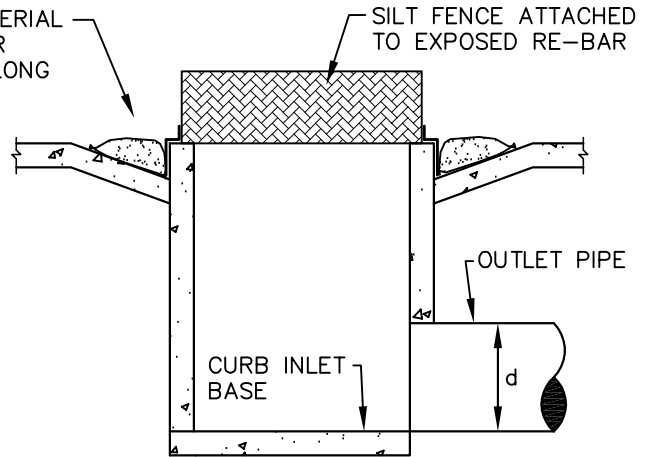




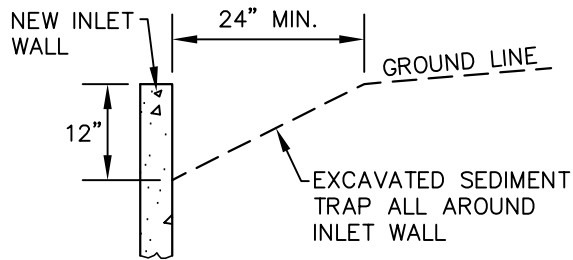
# New Curb Inlet Protection Phasing



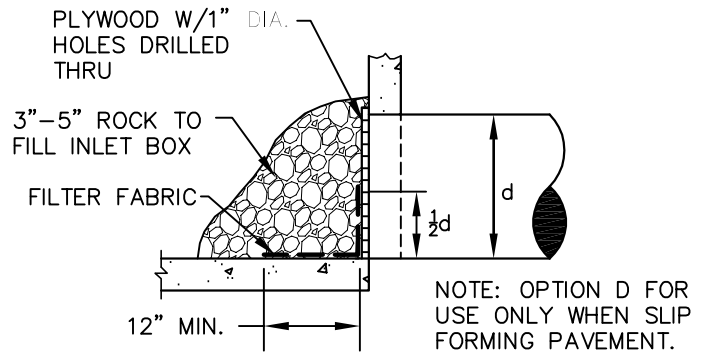
**OPTION A**



**OPTION B**



**OPTION C**



**OPTION D**

**PHASE 2**

FOR PHASE 3, PROVIDE TYPE A, B, OR C INLET PROTECTION ONCE THE INLET TOP AND PAVING ARE COMPLETED.

**PHASE 3**