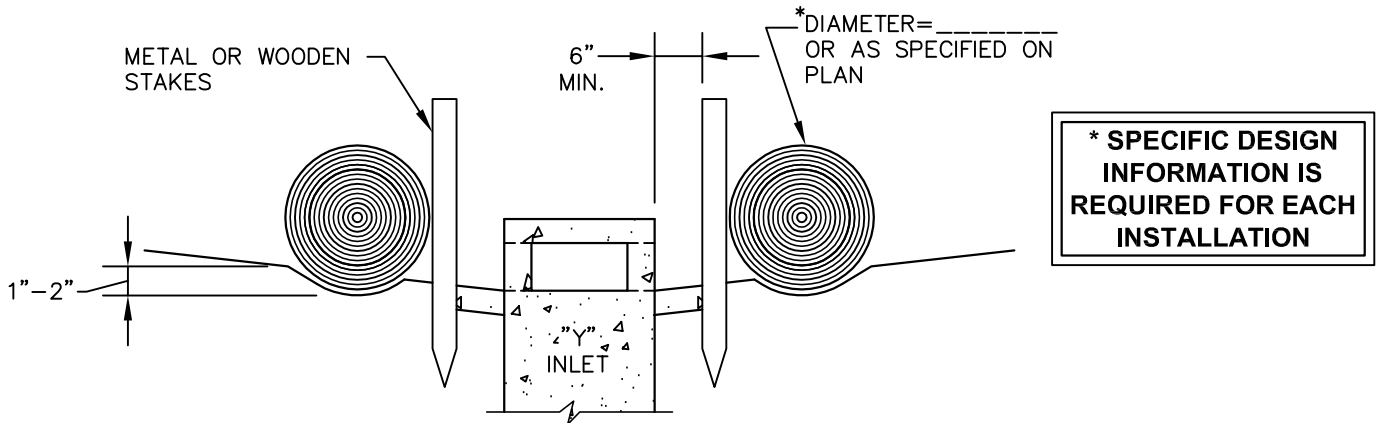
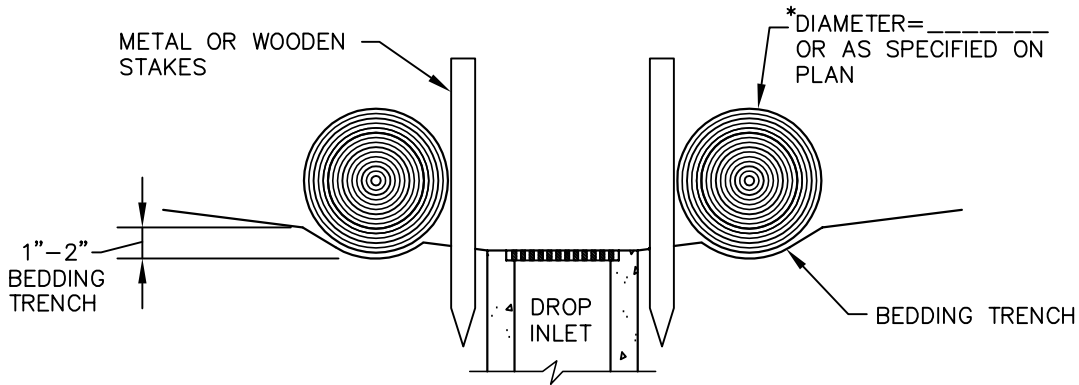


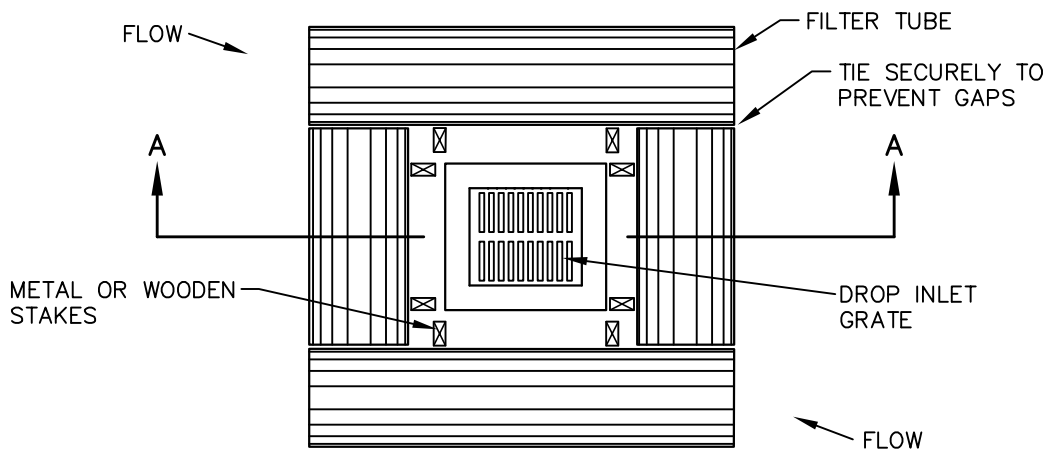
Filter Tube Inlet Protection



SECTION A-A
"Y" INLET



SECTION A-A
DROP INLET



PLAN VIEW