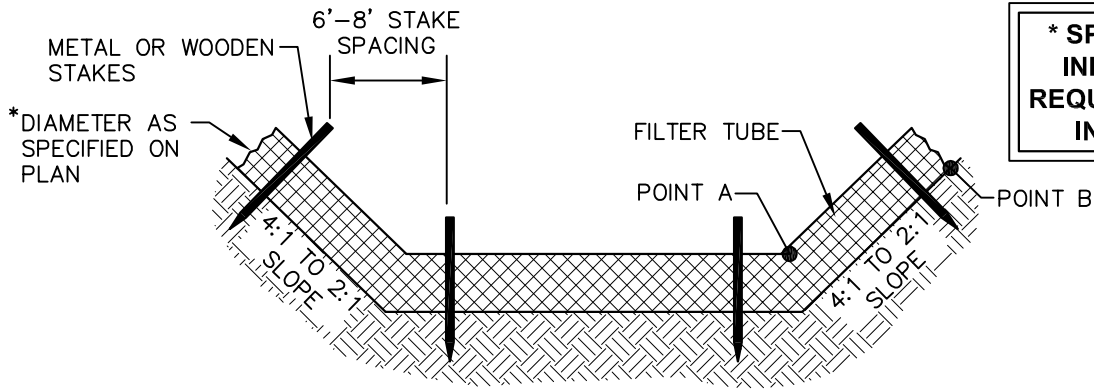


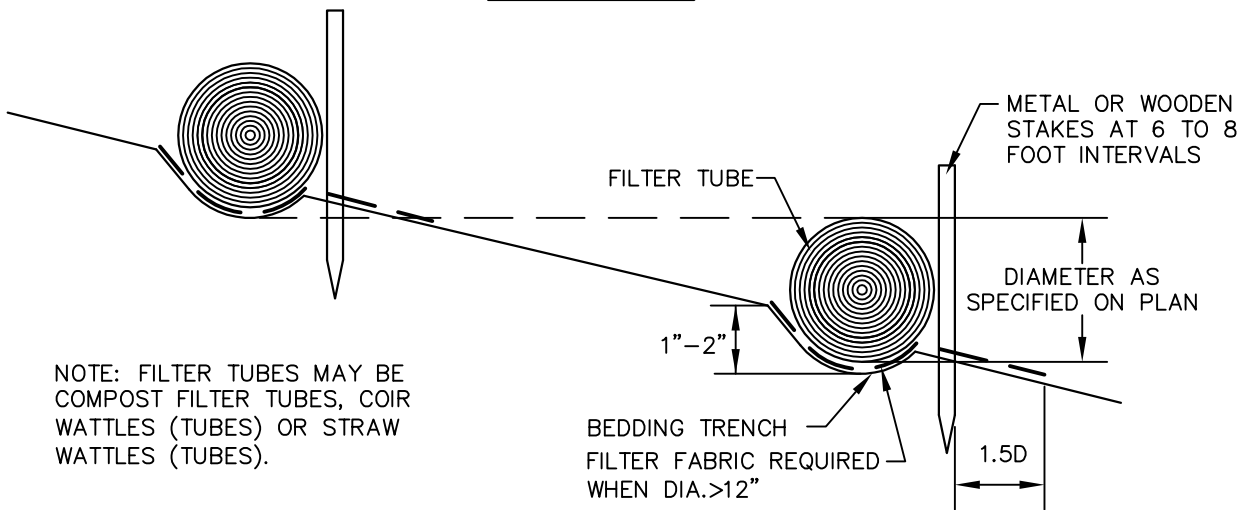
# Filter Tube Check Dam



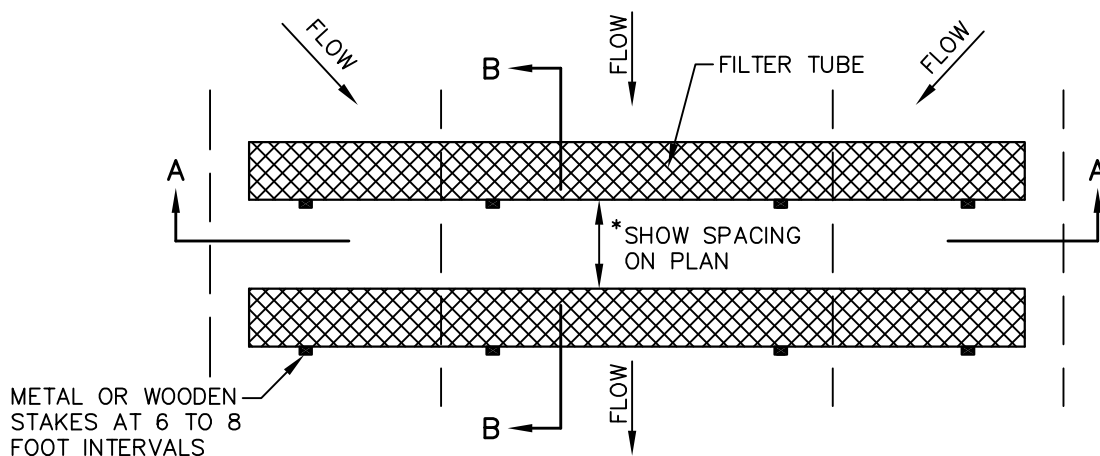
**NOTE:**

1. POINT B MUST BE A MIN. OF 6" TO 12" HIGHER THAN POINT A.
2. STAKE CHECK DAM ON DOWNHILL SIDE AS NECESSARY.

### SECTION A-A



### SECTION B-B



### PLAN VIEW