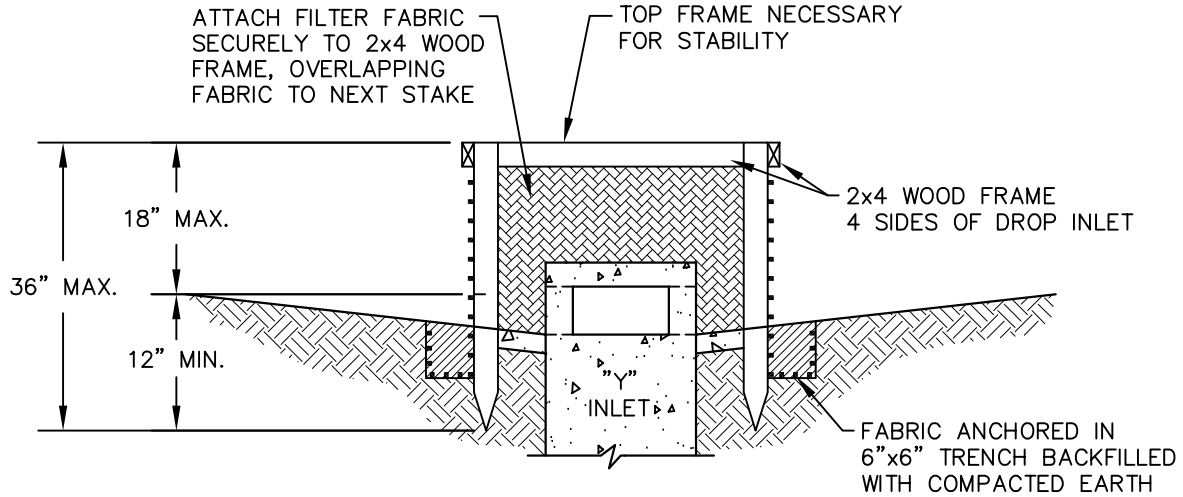
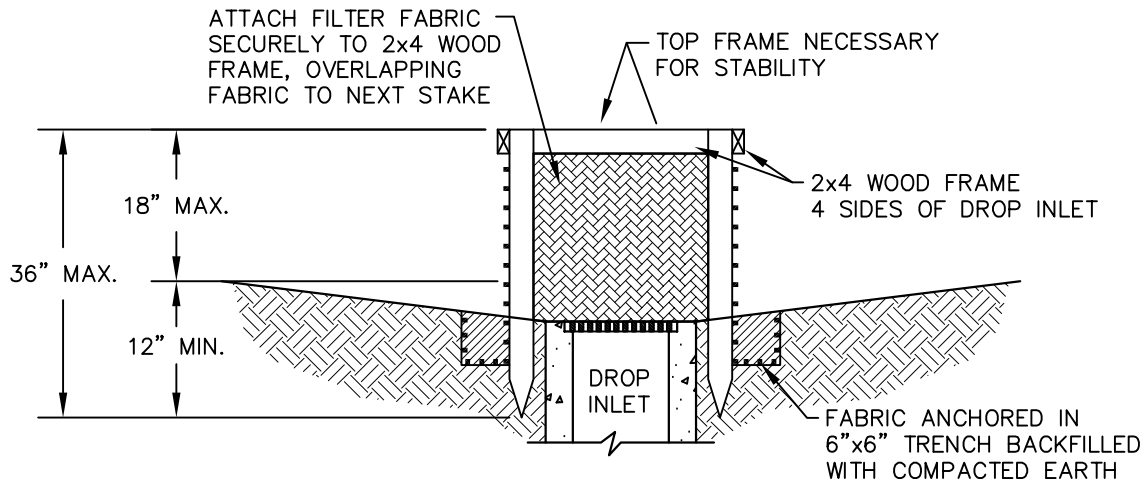




Filter Fabric Inlet Protection

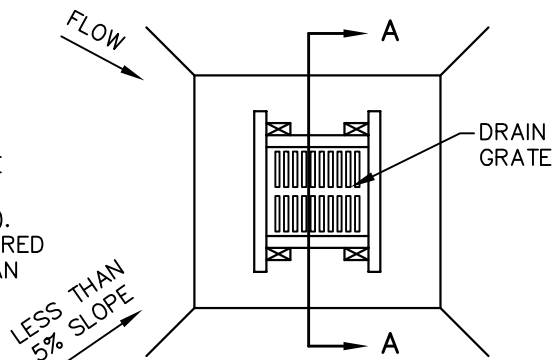


SECTION A-A
"Y" INLET



SECTION A-A
DROP INLET

NOTE: CONCENTRATED DITCH FLOW COMING FROM ONE OR MORE SIDES TOWARD THE INLET MAY REQUIRE A STONE OVERFLOW STRUCTURE TO BE CONSTRUCTED ON ONE SIDE OF THE INLET (SEE DETAIL WITH SILT FENCE). HOG WIRE FABRIC BACKING IS REQUIRED FOR INSTALLATIONS USED MORE THAN 90 DAYS.



PLAN VIEW