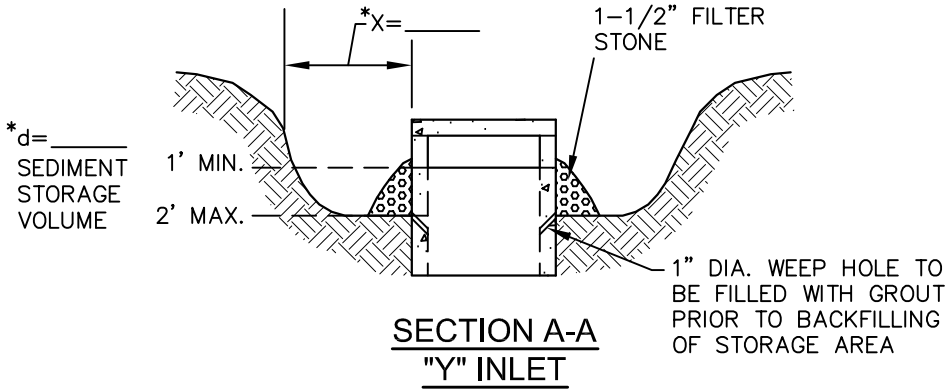


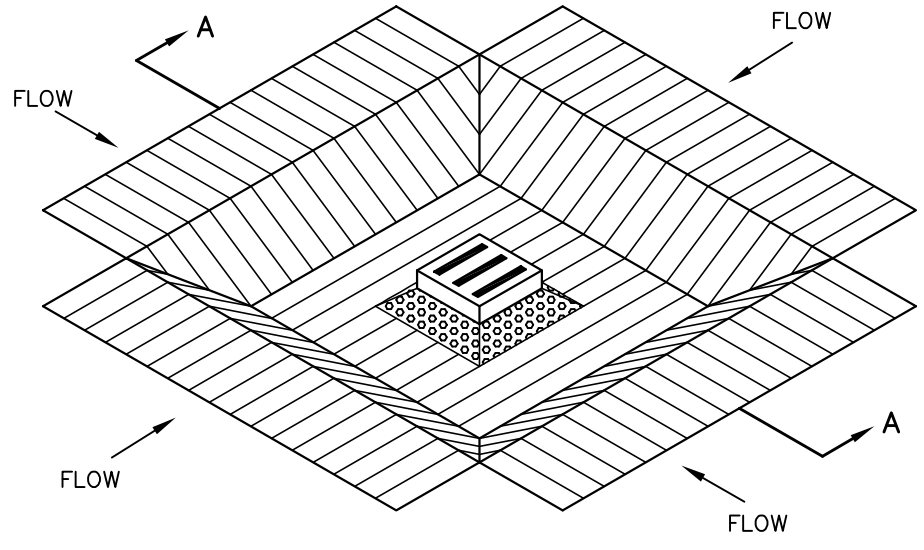
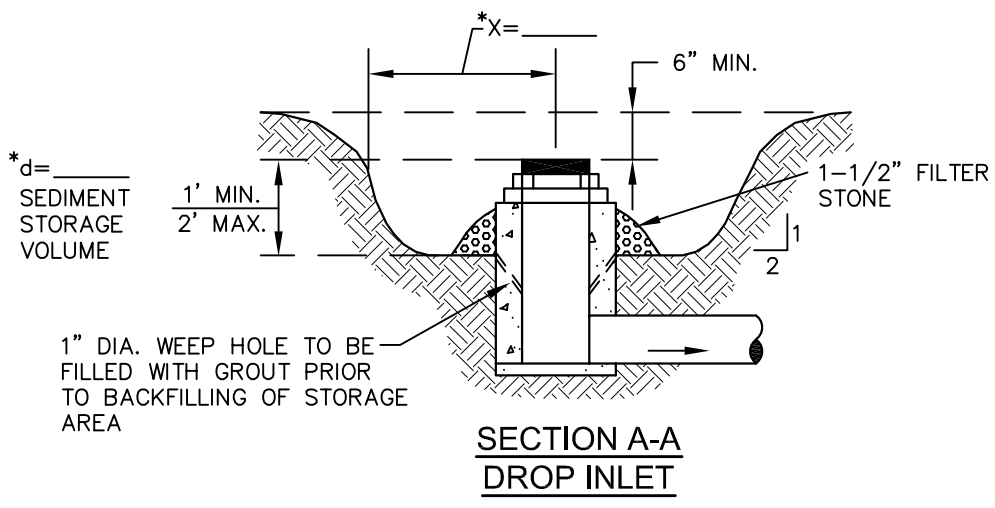


Excavated Inlet Protection



**DESIGN
COMPUTATION
REQUIRED**

*** SPECIFIC DESIGN
INFORMATION IS REQUIRED
FOR EACH INSTALLATION**



PLAN VIEW